

PGMG MAGNEHELIC PRESSURE GAUGE POSITIVE / NEGATIVE / DIFFERENTIAL

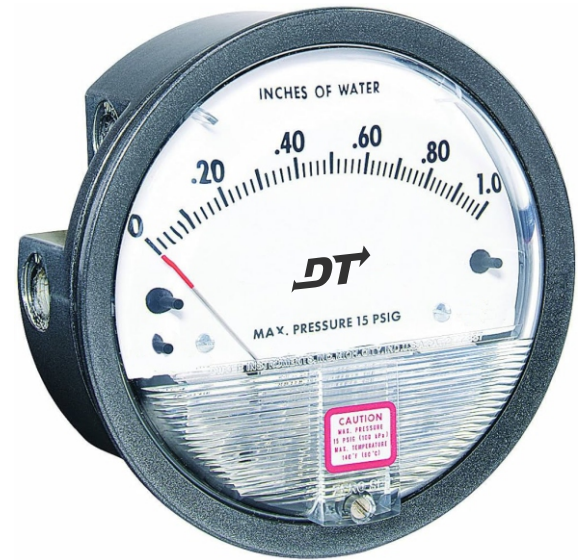


MAIN FEATURES

- Accuracy $\pm 2\%$ of F.S.D
- Die-cast aluminium housing
- Frictionless movement
- Protection against shocks, vibration & over-pressure

SUGGESTED APPLICATIONS

- Filter monitoring
- Blower vacuum monitoring
- Fan pressure indication
- Duct, room or building pressures
- Clean room positive pressure indication

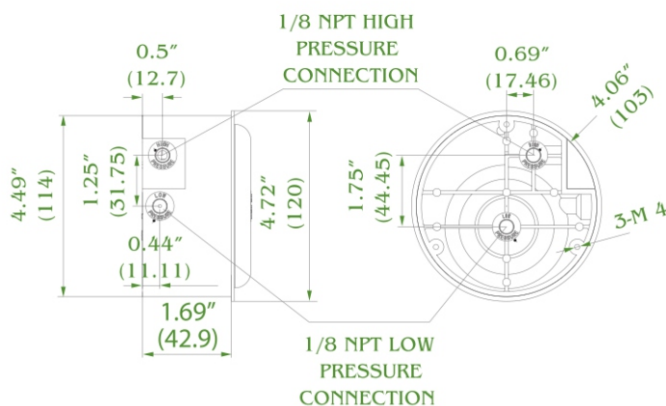


POSITIVE / NEGATIVE / DIFFERENTIAL DRAFT DIFFERENTIAL PRESSURE GAUGES

PRODUCT SPECIFICATION

- Dial Size: 4"
- Housing: Die cast aluminum case and bezel, with acrylic cover.
- Exterior finish is coated gray.
- Accuracy: $\pm 2\%$ of FS
- Pressure Limits: -20 in Hg to 15 psig (-0.677 to 1.034 bar)
- Enclosure Rating: IP67.
- Over-pressure: Relief plug opens at approximately 1.5 bar
- Temperature Limits: -5 to 60°C).
- Mounting Orientation: Diaphragm in vertical position.
- Process Connections: 1/8" NPT(F) high and low pressure taps one pair on side and one pair back.

DIMENSION



STANDARD ACCESSORIES

- 1) 2 x 1/8" NPT plugs for duplicate pressure taps
- 2) 2 x 1/8" pipe thread to rubber tubing adapter
- 3) 3 x flush mounting adapters with screws.

ORDERING CODES

MODEL CODE	RANGE	MODEL CODE	RANGE
380D-1003	0 - 3 mm	380D-2030	0 - 30 Pa
380D-1006	0 - 6 mm	380D-2060	0 - 60 Pa
380D-1010	0 - 10 mm	380D-2125	0 - 125 Pa
380D-1025	0 - 25 mm	380D-2250	0 - 250 Pa
380D-1050	0 - 50 mm	380D-2500	0 - 500 Pa
380D-1100	0 - 100 mm	380D-2750	0 - 750 Pa
380D-1150	0 - 150 mm	380D-2001	0 - 1 kPa
380D-1250	0 - 250 mm	380D-2002	0 - 2 kPa
380D-1500	0 - 500 mm	380D-2303	30 - 0 - 30 Pa
380D-1303	3 - 0 - 3 mm	380D-2505	50 - 0 - 50 Pa
380D-1505	5 - 0 - 5 mm	380D-2606	60 - 0 - 60 Pa
380D-1101	10 - 0 - 10 mm	380D-2101	125 - 0 - 125 Pa
380D-1202	25 - 0 - 25 mm	380D-2202	250 - 0 - 250 Pa
380D-1555	50 - 0 - 50 mm	380D-2555	500 - 0 - 500 Pa

* Other units available on request. Contact factory.

ORDERING EXAMPLE: 380D-2250