

# PGHP OPEN FRONT PRECISION PROCESS PRESSURE GAUGE



## MAIN FEATURES

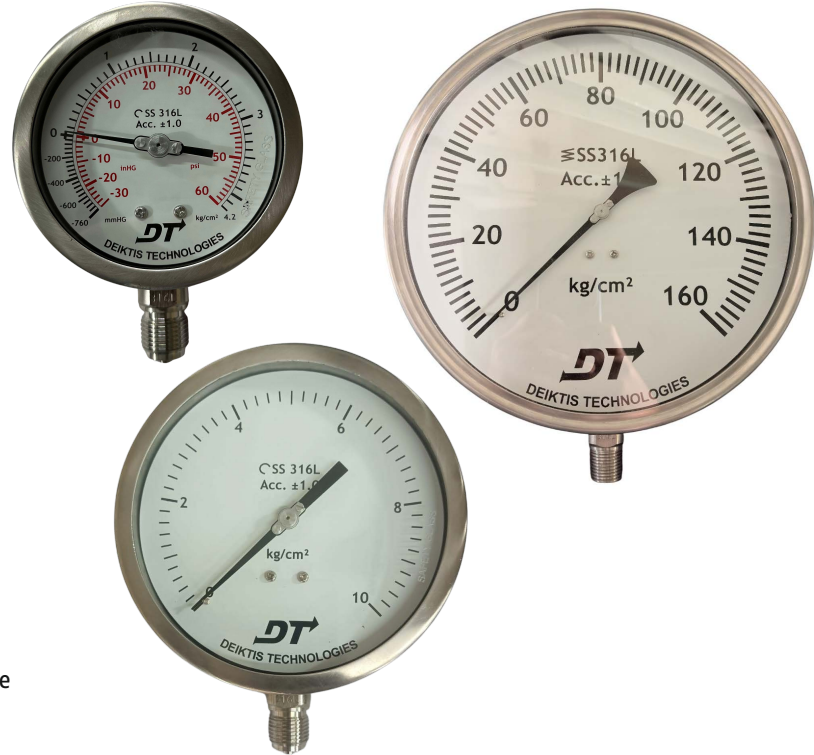
All SS measuring system  
Socket-case, direct welded  
Dry / liquid filled

## SUGGESTED APPLICATIONS

Liquid & gaseous mediums  
Corrosive environments  
Oil & Gas applications  
Chemical & Petrochemical  
Food & Beverages  
Nuclear power plants

## TEMPERATURE EFFECT

When temperature of the measuring system deviates from reference temperature (+20°C) : max error  $\pm 0.4\%$  / 10K of true scale value.



## FULL STAINLESS STEEL PROCESS PRESSURE GAUGES

## BASIC DESCRIPTION

Sensing element : Bourdon Tube  
( $< 100$  bar : C - type ,  $> 100$  bar : Helical)  
Accuracy:  $\pm 1.0\%$  F.S.D.  
Ambient temperature:  $-40 \dots +65^\circ\text{C}$   
Service temperature:  $300^\circ\text{C}$  max.  
Steady pressure: Up to FS value  
Fluctuating pressure: Up to 90% of FS value  
Over-pressure:  $1.3 \times$  FS value  $\leq 100$  bar  
:  $1.15 \times$  FS value  $\geq 100$  bar  
Weld joints: TIG argon arc welding

## PRODUCT SPECIFICATION

### STANDARD VERSION [CODE : PGHP]

Dial size : DN100 / DN150 / DN250  
Range :  $-1 \dots 0 \dots 1,600$  bar  
Mounting pattern : Direct, Bottom connection  
Process connection :  $1/2''$  NPT (M) /  $1/2''$  BSP (M)  
Ingress protection : IP 65  
Execution : Dry but fill-able  
Case & Ring material : AISI 304 SS (Bayonet type)  
Bourdon tube & Shank : AISI 316L SS (Shank welded directly to case)  
Movement mechanism : AISI 304 SS  
Dial : Aluminum, black graduation on white background  
Pointer : Micro-zero adjustable, aluminum, black powder coated  
Gaskets, Blow off disc & filling plug : Neoprene  
Window : Shatterproof safety glass

### LIQUID FILLED VERSION (GLYCERIN) [CODE : G]

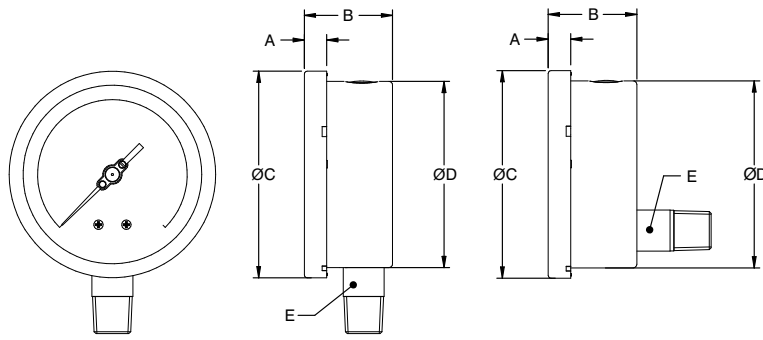
Ambient temperature:  $-20 \dots +65^\circ\text{C}$   
Dampening liquid : Glycerin 99.7%

### LIQUID FILLED VERSION (SILICON OIL) [CODE : S]

Ambient temperature:  $-40 \dots +65^\circ\text{C}$   
Dampening liquid : Silicon oil

## DIMENSIONAL DRAWINGS

100mm / 150mm / 250 mm



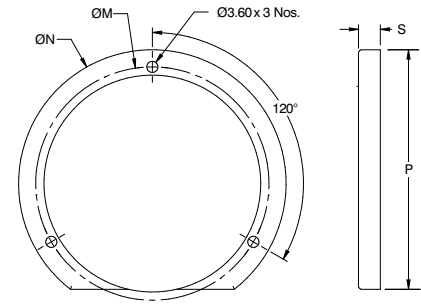
Direct Bottom

Lower Back

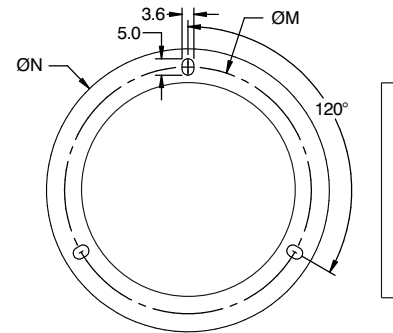
NS	A	B	ØC	ØD	E
100	12	48	111	100	□ 22
115	15	48	129	119	□ 22
150	15	48	161	149	□ 22
250	18.5	50	263	250	□ 22

All dimensions are in mm.

## MOUNTING ACCESSORIES



Surface Plate with U-Clamp



Front Flange

NS	P	S	ØN	ØM
100	128	7	134	118
150	172	7	186	168

All dimensions are in mm.

## MODEL CODING

MODEL	-	DIAL SIZE	MOUNTING	CONNECTION	CASE EXECUTION	/	RANGE	/
PGHP = OPEN FRONT PRECISION PROCESS PRESSURE GAUGE		100 = 100 mm 150 = 150 mm 250 = 250 mm	B = Direct Bottom L = Lower Back	M2N = ¼" NPT (M) M2B = ¼" BSP (M) M4N = ½" NPT (M) MBN = ½" BSP (M) M2M = M12 X 1.0P M4M = M20 X 1.5P M3B = ¾" BSP (M)	D = Dry but fill-able G = Glycerin filled S = Silicon oil filled		0...10 to 0...15000 psi or 0...0.6 to 0...1000 bar or equivalent units	

OTHER OPTIONS		
FF = Front flange with back mounting (3 Hole Panel) UC = Surface Plate TS4 = Tag plate in SS 304 TS6 = Tag plates in SS 316	CD = Custom Design Dial TD = Tag Marking on Dial RT = Rolling type Case & Ring BT = Bayonet Type Case & Ring EZ = External Zero Adjustment	MTC2.2 = Material test certificate, 2.2 MTC = Material test certificate, 3.1 CC = 5-point calibration certificate

**ORDERING EXAMPLE** PGHP-100-S6L-B-M3N-SO4-G/RANGE/A1.CC.CD.UC.

## QUICK ORDER DETAILS / FEEDBACKS

.....

.....

.....

.....

.....

.....

.....

.....

.....

.....