

PGDS DIAPHRAGM PRESSURE GAUGE SCHAFFER DIAPHRAGM TYPE



MAIN FEATURES

Socket-case, direct welded
Threaded / Flanged connection
Dry

SUGGESTED APPLICATIONS

Liquid & gaseous mediums
Corrosive environments
Oil & Gas applications
Chemical & Petrochemical
Food & Beverages
Nuclear power plants

TEMPERATURE EFFECT

When temperature of the measuring system deviates from reference temperature (+20°C) : max error $\pm 0.4\%$ / 10K of true scale value.



FULL STAINLESS STEEL DIAPHRAGM PRESSURE GAUGES

BASIC DESCRIPTION

Standard followed: EN 837-1
Design : EN 837-3
Sensing element : Diaphragm
Accuracy: $\pm 1.6\%$ of full scale
Ambient temperature: -40...+65°C
Service temperature: 100°C max.
Steady pressure: Up to FS value
Fluctuating pressure: Up to 90% of FS value
Over-pressure: No Overpressure
Weld joints: TIG argon arc welding

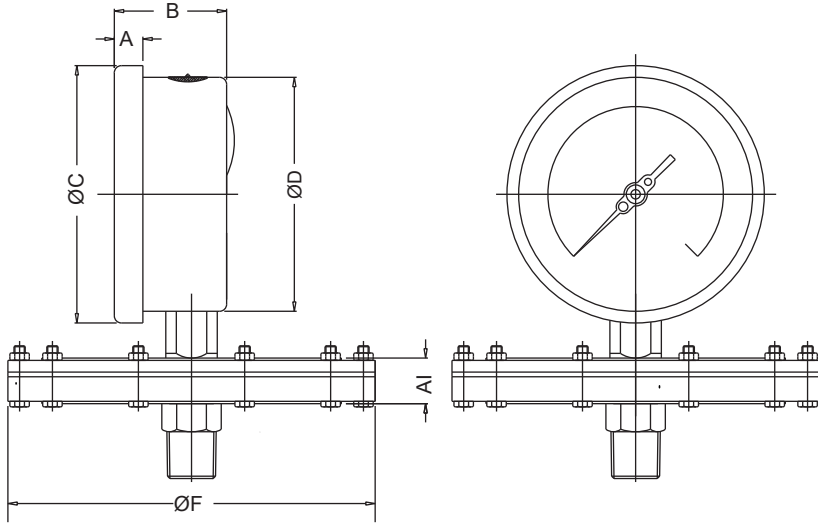
PRODUCT SPECIFICATION

STANDARD VERSION [CODE : PGDS]

Dial size : 100mm / 150 mm
Range : -25mbar...0...10 bar
Mounting pattern : Direct, Bottom connection
Process connection : $\frac{1}{2}$ " NPT (M) / $\frac{1}{2}$ " BSP (M)
Ingress protection : IP 54
Execution : Dry
Case & Ring material : SS 304
Top chamber : SS 304
Diaphragm & Bottom Chamber : SS 316 / Monel 400 / Hastelloy C-276
Movement mechanism : SS 304
Dial : Aluminum, black graduation on white background
Pointer : Micro-zero adjustable, aluminum, black powder coated
Gaskets & Vent Plug : Neoprene

DIMENSIONAL DRAWINGS

100mm / 150mm



Range	DN	A	B	ØC	ØD	E	ØF
-1 to 10 bar	100	12	48	111	100	A/F-22	98
	150	15	48	161	149	A/F-22	98
25 mbar to 600 mbar	100	12	48	111	100	A/F-22	160
	150	15	48	161	149	A/F-22	160

NOTES

- Drawing not to scale. All dimensions are in mm.
- For other mounting details, Panel cut-out dimensions, kindly contact factory.

MODEL CODING

MODEL	-	DIAL SIZE	MOUNTING	CONNECTION	CASE EXECUTION	/	RANGE	/
PGDS = Open front, Case SS 304, Diaphragm SS 316 PGDS = Open front, Case SS 304, Diaphragm Monel 400 PGDS = Open front, Case SS 304, Diaphragm Hastelloy C-276		100 = 100mm 150 = 150mm	B = Direct Bottom	M4N = ½" NPT (M) MBN = ½" BSP (M) M4M = M20 X 1.5P F13 = 1" RF 150# F25 = 1½" RF 150# F26 = 1½" RF 300# F31 = 2" RF 150#	Y = Dry		-25mbar...0...25bar or equivalent units	

TOP CHAMBER	DIAPHRAGM	BOTTOM CHAMBER	/	OTHER OPTIONS
S04 = SS 304 S16 = SS 316	S16 = SS 316 M40 = Monel 400 H76 = Hastelloy C-276	S16 = SS 316 M40 = Monel 400 H76 = Hastelloy C-276		TS4 = Tag plate in SS 304 TS6 = Tag plates in SS 316 CD = Custom Dial Design / Private labeling XG = SS 316 movement mechanism CC = 5 - point factory calibration certificate NACE = Tested to NACE standards MTC = Material test certificate, 3.1

ORDERING EXAMPLE PGDS-100.B.M4N.Y/RANGE/S04.S16.S16/CC.XG.TS4

QUICK ORDER DETAILS / FEEDBACKS

.....

.....

.....

.....

.....