

FLAMEPROOF PRESSURE SWITCH

MAIN FEATURES

Fix / adjustable differential
 Field adjustable set point
 Weatherproof to IP 68
 Internal set point lock
 Rigid construction
 Scale provided

SUGGESTED APPLICATIONS

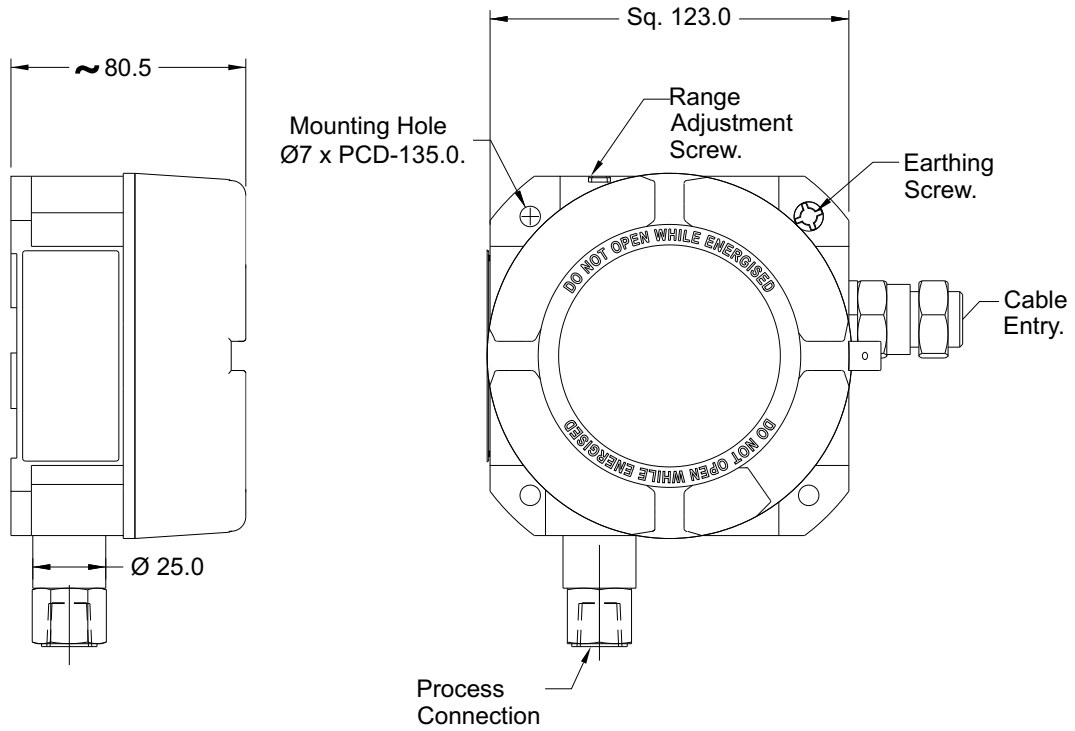
Marine applications
 Textile machineries
 Power & steel plants
 Furnace applications
 Oil & Gas, Refineries
 Petro-chemicals & Fertilizers
 Cement & Glass industries
 Railway engines & Turbines



PRODUCT SPECIFICATION

Repeatability	:	$\pm 1\%$ F.S
Scale accuracy	:	$\pm 3\%$ F.S
Measurement unit	:	bar
Range	:	Refer "Range Table"
Range adjustment	:	External / Internal
Differential	:	Fixed (Standard), Adjustable (Optional)
Mounting	:	Bottom / Panel
Enclosure material	:	Aluminum pressure die cast
Sensing elements	:	SS 316L Diaphragm
Switch	:	1 SPDT Snap action micro switch
Switch rating	:	15A,250 VAC / 0.2A,24 VDC (Standard)
Process connection	:	1/4" NPT (F)
Maximum process temperature	:	150 °C
Ambient temperature	:	-10...60 °C
Cable entry	:	PG.13.5 mm
Set point	:	Between 20 to 80 % F.S for better performance
High voltage strength	:	0.5 to 0.6 KV between open contacts and 2 K V between contact and body

DIMENSIONAL DRAWINGS



RANGE	RANGE
"mbar"	"bar"
3...20	-1...4
5...60	0.2...2
10...100	0...4
25...250	0.6..6
50...600	1...10
	1...16
	2...25
	4...40
	6...60
	10...100
	20...160

QUICK ORDER DETAILS / FEEDBACKS

.....

.....

.....

.....

.....