

# DSTC DIAPHRAGM SEAL SANITARY (TRICLOVER) WELDED



## MAIN FEATURES

Quick connect/disconnect  
Laser welded flush diaphragm  
Tri-clamp connection

## SUGGESTED APPLICATIONS

Food & beverages industries  
Diary & Ice cream industries  
Pharmaceuticals & cosmetics



## DIAPHRAGM SANITARY SEAL (TRICLOVER)

## BASIC DESCRIPTION

Seal Range : -1 up to 40 bar  
Storage temperature : -40...+65°C Service  
temperature : 370°C max.  
Weld joints : Laser welding for Diaphragm

## MATERIAL OF CONSTRUCTION

Sensing element : Diaphragm  
Top chamber material: SS 304 / SS 316  
Diaphragm : SS 316L  
Bottom chamber material : SS 316 / SS 316L

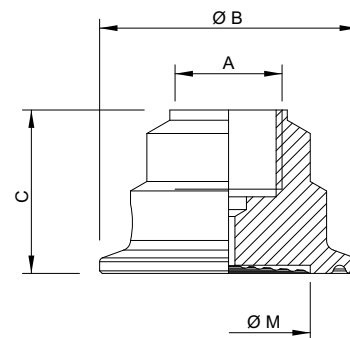
## FILLING LIQUIDS Vs TEMPERATURE RANGE

CODE	Fluid Name	Temperature Range
L3	Food Grade Oil	-20°C to 200°

## PRODUCT SPECIFICATION

Seal type : Sanitary Seal [Model: DSTC] Instrument  
connection : 1/2" NPT (F) / 1/2" BSP (F) Diaphragm  
Filling Fluid : Food Grade Oil [-20...200°C]  
Process connection : 1", 1 1/2", 2" & 2 1/2" Tri-clamp

## DIMENSIONAL DRAWING



All dimensions are in mm.

## MODEL: DSTC

DN	A	Ø B	C	Ø M	Weight (kg)#
DN 25 (1")	1/2" BSP (F)	50.5	32	19	0.20
DN 38 (1 1/2")	1/2" BSP (F)	50.5	32	32	0.20
DN 50 (2")	1/2" BSP (F)	64.0	32	45	0.32

## Minimum Range Chart (According to diaphragm size):

DN	DN 63		DN 100/150	
	Gauge	Compound	Gauge	Compound
DN 25 (1")	0 ... 4 bar	-1 ... 3 bar	-	-
DN 38 (1½")	0 ... 2.5 bar	-1 ... 3 bar	0 ... 6 bar	-1 ... 5 bar
DN 50 (2")	0 ... 1 bar	-1 ... 1.5 bar	0 ... 1.6 bar	-1 ... 3 bar

## MODEL CODING

MODEL	-	CHAMBER	DIAPHRAGM	/	INSTRUMENT CONNECTION	/	PROCESS CONNECTION	/	SEALING LIQUID	/	OTHER OPTIONS
DSTC = Diaphragm Seal Sanitary (Triclover)		S16 = SS 316 S6L = SS 316L	S6L = SS 316L		F4N = ½" NPT (F) F4B = ½" BSP (F)		DN 25 (1") DN 38 (1½") DN 50 (2")		L2 = Silicon Oil L4 = Food Grade Oil		MTC = Material test certificate, 3.1

**ORDERING EXAMPLE**     DSTC-S16.S6L./F4N.DN50/L4/MTC.

## QUICK ORDER DETAILS / FEEDBACKS

.....

.....

.....

.....

.....