

# 273B / 274B / 275B / 276B PHENOLIC PRESSURE GAUGES SOLID FRONT TYPE



## MAIN FEATURES

Turret design  
Accuracy as per Grade 2A /  $\pm 0.5\%$   
Dry / liquid filled

## SUGGESTED APPLICATIONS

Liquid & gaseous mediums  
Corrosive environments  
Oil & Gas applications  
Chemical & Petrochemical  
Food & Beverages  
Nuclear power plants



## SOLID FRONT PHENOLIC PRESSURE GAUGES

## BASIC DESCRIPTION

Design : ANSI B40: 100  
Sensing element : Bourdon Tube  
( $< 100$  bar : C - type ,  $> 100$  bar : Helical)  
Accuracy: Grade 2A ( $\pm 0.5\%$  F.S.D.)  
Ambient temperature:  $-40 \dots +65^\circ\text{C}$   
Service temperature:  $300^\circ\text{C}$  max.  
Steady pressure: Up to FS value  
Fluctuating pressure: Up to 90% of FS value  
Over-pressure:  $1.3 \times \text{FS value} \leq 100$  bar  
 $: 1.15 \times \text{FS value} \geq 100$  bar

## PRODUCT SPECIFICATION

### STANDARD VERSION [CODE : 273B]

Dial size :  $4\frac{1}{2}$ " (114.3mm)  
Range :  $-1 \dots 0 \dots 1,600$  bar  
Mounting pattern : Direct, Bottom connection  
Process connection :  $\frac{1}{2}$ " NPT (M) /  $\frac{1}{2}$ " BSP (M)  
Ingress protection : IP 67  
Execution : Dry but fill-able  
Case & Ring material : Polypropylene  
Bourdon tube & Shank : AISI 316L SS  
Movement mechanism : AISI 304 SS  
Dial : Aluminum, black graduation on white background  
Pointer : Micro-zero adjustable, aluminum, black powder coated  
Gaskets, Blow off disc & filling plug : Neoprene  
Window : Shatterproof safety glass

### LIQUID FILLED VERSION (GLYCERIN) [CODE : G]

Ambient temperature:  $-20 \dots +65^\circ\text{C}$   
Dampening liquid : Glycerin 99.7%

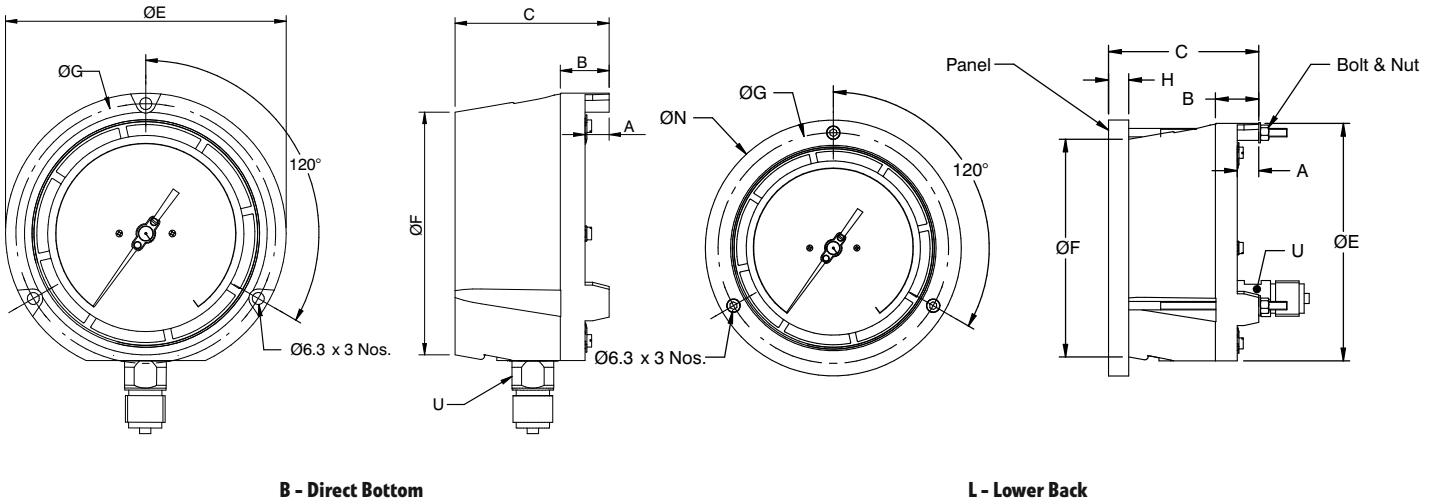
### LIQUID FILLED VERSION (SILICON OIL) [CODE : S]

Ambient temperature:  $-40 \dots +65^\circ\text{C}$   
Dampening liquid : Silicon oil

## DIMENSIONAL DRAWINGS

DN 100 / DN 115 / DN 150 / DN 250

## MOUNTING ACCESSORIES



NS	A	B	C	ØE	ØF	G	H	ØN	U
115	12.5	26	82	149	129	137	12	152	A/F-17

All dimensions are in mm.

## MODEL CODING

MODEL	-	DIAL SIZE	MOUNTING	CONNECTION	CASE EXECUTION	/	RANGE	/
272B = Open front, Case SS 304, Bourdon SS 316 273B = Open front, Case SS 304, Bourdon SS 316L 274B = Open front, Case SS 304, Monel 400 275B = Open front, Case SS 304, Hastelloy C 276B = Open front, Case SS 304, Inconel		45 = 114.3 mm	B = Direct Bottom L = Lower Back	M2N = 1/4" NPT (M) M2B = 1/4" BSP (M) M4N = 1/2" NPT (M) M4B = 1/2" BSP (M) M2M = M12 X 1.0P M4M = M20 X 1.5P M3B = 3/8" BSP (M)	D = Dry but fill-able G = Glycerin filled S = Silicon oil filled		0...10 to 0...15000 psi or 0...0.6 to 0...1000 bar or equivalent units	

OTHER OPTIONS		
BF = Back flange for bottom mounting	XP = Maximum Reading Pointer	XA = Tag plate in SS 304
FF = Front flange for lower back/center back mounting	OR = Over range protection 1.5 of FSD	XB = Tag plates in SS 316
2P = 2" Pipe mounting bracket for bottom mounting	RG = Receiver Gauge	XD = Custom Dial Design / Private labeling
TA = 5 - point factory calibration certificate	TC = Material test certificate, 3.1	OS = Overload stop
	TO = Certificate of De-greasing	VS = Vacuum stop

**ORDERING EXAMPLE**      273B-45.B.M4N.D/0-100psi/TA.XA.

## QUICK ORDER DETAILS / FEEDBACKS

.....

.....

.....

.....

.....