

253B / 263B / 254B / 264B PROCESS PRESSURE GAUGES SOLID FRONT FULL BLOW BACK TYPE



MAIN FEATURES

All SS measuring system
Socket-case, direct welded
Dry / liquid filled

SUGGESTED APPLICATIONS

Liquid & gaseous mediums
Corrosive environments
Oil & Gas applications
Chemical & Petrochemical
Food & Beverages
Nuclear power plants



SOLID FRONT FULL BLOW BACK TYPE PROCESS PRESSURE GAUGES

BASIC DESCRIPTION

Sensing element : Bourdon Tube
(<100 bar : C - type , >100 bar : Helical)
Accuracy: $\pm 1.0\%$ F.S.D.
Ambient temperature: $-40...+65^{\circ}\text{C}$
Service temperature: 300°C max.
Steady pressure: Up to FS value
Fluctuating pressure: Up to 90% of FS value
Over-pressure: $1.3 \times \text{FS value} \leq 100$ bar
 $: 1.15 \times \text{FS value} \geq 100$ bar
Weld joints: TIG argon arc welding

PRODUCT SPECIFICATION

STANDARD VERSION [CODE : 253B]

Dial size : 100mm / 150 mm
Range : $-1...0...1,600$ bar
Mounting pattern : Direct, Bottom connection
Process connection : $1/2"$ NPT (M) / $1/2"$ BSP (M)
Ingress protection : IP 67
Execution : Dry but fill-able
Case, Ring & Blow-off disc material : AISI 304 SS (Bayonet type)
Bourdon tube & Shank : AISI 316L SS (Shank welded directly to case)
Movement mechanism : AISI 304 SS
Dial : Aluminum, black graduation on white background
Pointer : Micro-zero adjustable, aluminum, black powder coated
Gaskets & filling plug : Neoprene
Window : Shatterproof safety glass

LIQUID FILLED VERSION (GLYCERIN) [CODE : G]

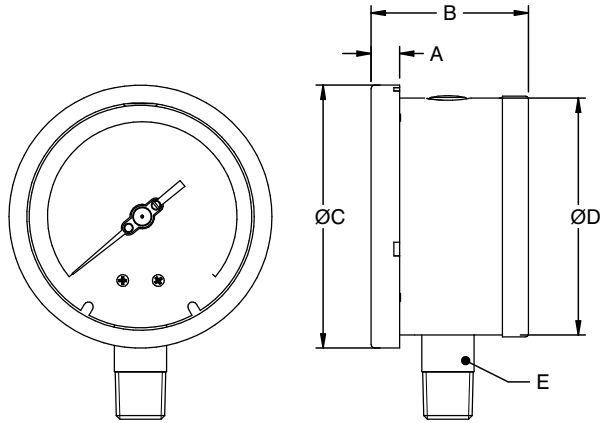
Ambient temperature: $-20...+65^{\circ}\text{C}$
Dampening liquid : Glycerin 99.7%

LIQUID FILLED VERSION (SILICON OIL) [CODE : S]

Ambient temperature: $-40...+65^{\circ}\text{C}$
Dampening liquid : Silicon oil

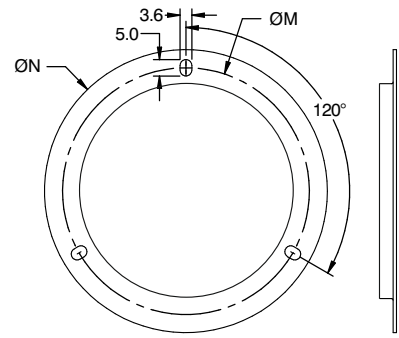
DIMENSIONAL DRAWINGS

100mm / 150 mm



NS	A	B	ØC	ØD	E
100	12	66.5	111	100	□22
150	15	68.5	161	149	□22

MOUNTING ACCESSORIES



BF - BACK FLANGE

NS	P	S	ØN	ØM
100	128	7	134	118
150	172	7	186	168

All dimensions are in mm.

MODEL CODING

MODEL	-	DIAL SIZE	MOUNTING	CONNECTION	CASE EXECUTION	/	RANGE	/
253B = Open front, Case SS 304, Bourdon SS 316L 263B = Open front, Case SS 316, Bourdon SS 316L 254B = Open front, Case SS 304, Monel 400 264B = Open front, Case SS 316, Monel 400		04 = 100 mm 45 = 115 mm 06 = 150 mm 10 = 250 mm	B = Direct Bottom L = Lower Back	M2N = ¼" NPT (M) M2B = ¼" BSP (M) M4N = ½" NPT (M) MBN = ½" BSP (M) M2M = M12 X 1.0P M4M = M20 X 1.5P M3B = ¾" BSP (M)	D = Dry but fill-able G = Glycerin filled S = Silicon oil filled		0..10 to 0..15000 psi or 0..0,6 to 0..1000 bar or equivalent units	

OTHER OPTIONS		
BF = Back flange for bottom mounting 2P = 2" Pipe mounting bracket for bottom mounting TA = 5 - point factory calibration certificate	XP = Maximum Reading Pointer OR = Over range protection 1.5 of FSD RG = Receiver Gauge TC = Material test certificate, 3:1 TO = Certificate of De-greasing	XA = Tag plate in SS 304 XB = Tag plates in SS 316 XD = Custom Dial Design / Private labeling OS = Overload stop VS = Vacuum stop

ORDERING EXAMPLE 253B-04.B.M4N.D/0-10kg/cm²/psi/TA.XA.

QUICK ORDER DETAILS / FEEDBACKS

.....

.....

.....

.....

.....

.....